



# BRANDQUALITY

**BF ENGINE COMPONENTS –  
THE RELIABLE SOLUTION FOR EFFICIENT REPAIRS.**

PASSION FOR **TECHNOLOGY.**





# BRANDQUALITY

Product	Article number	OE number	Manufacturer
Transmission oil pump	20 1404 11000	20567034, 21730437, 22196494, 7420567034, 7421730437, 7422196494	Volvo
Rocker arm	20100220665	51.04201-6154, 51.04201-6158, 51.04201-6160, 51.04201-6195	MAN
	20100220666	51.04201-6155, 51.04201-6159, 51.04201-6161, 51.04201-6196	
Crankcase	20030208361	51.01100-6138, 51.01100-6262, 51.01100-6266, 51.01100-6267	MAN
	20030390401	A 904 010 87 05	Mercedes-Benz
Crankshaft	20050347100	A 471 030 04 01	Mercedes-Benz
	20050226760	51.02101-0632, 51.02101-0801	MAN
	20051413000	5801635195	Fiat/Iveco
Camshaft	20100411002	21189194, 22431872, 22584592	Volvo
	20100347100	A 471 050 18 01	Mercedes-Benz
	20100347101	A 471 050 17 01	
Oil cooler	20190347100	A 471 180 07 65, A 471 180 10 65	Mercedes Benz
Oil pump	20 1407 13001	2106275	Scania
	20 1409 13002	683322	DAF
	20 1409 13000	1973051, 1644099, 1666762, 1698645, 1840521	
Water pump	20 1607 13001	1778923, 1939481, 2006210, 2224045, 570193, 5766663, 5766664	Scania
Cylinder head	20080390402	A 904 010 32 21	Mercedes-Benz
	20080390602	A 906 010 59 21, A 906 010 72 21	
	20080520130	0490 5684, 0491 0987	Deutz
	20080520131	0490 5686, 0490 5941, 0491 0979, 0491 4529	
	20080220665	51.03100-6107, 51.03100-6151, 51.03100-6172, 51.03100-6211, 51.03100-6286, 51.03100-6314, 51.03100-6357, 51.03100-6423, 51.03100-9423	MAN
	20080228761	51.03100-6053	
	20080228762	51.03100-6031, 51.03100-6050, 51.03100-6181, 51.03100-6499, 51.03100-6653, 51.03100-6695	
20080228764	51.03100-6050, 51.03100-6181		





## ENGINE COMPONENTS AND SERVICE

Under the brand BF, Motorservice sells engine components of the highest quality which are designed for a long service life and efficient repairs.

### Three million kilometres, daily load of 30 tonnes.

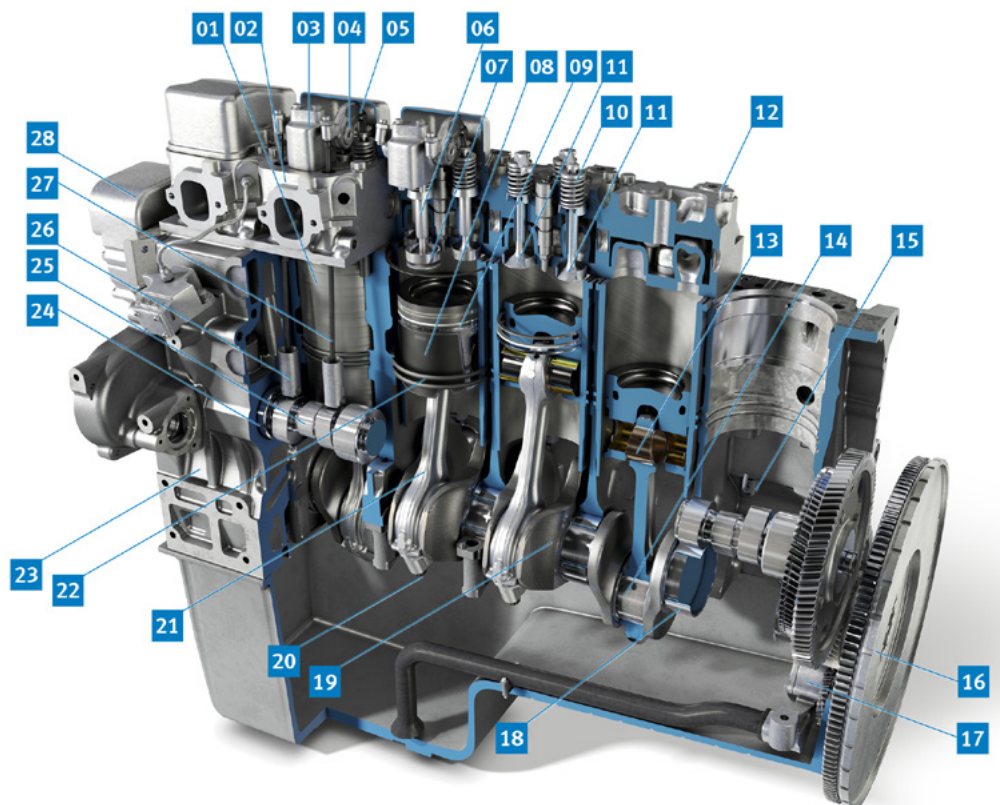
The drives of utility vehicles have to withstand particularly high stresses. The reliability of drive components is an absolute necessity to keep the total costs of ownership low.

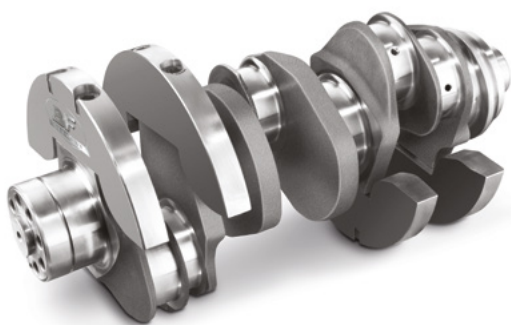
### Cross-brand offer

Our extensive product range includes spare parts suitable for engines from Volvo, Scania, Mercedes-Benz, MAN, Iveco, Deutz, DAF, Cummins and many other engine manufacturers.

### Product range

- 01 Cylinder liner
- 02 Cylinder head
- 03 Rocker arm bearing block
- 04 Rocker arm bush
- 05 Rocker arm
- 06 Valve guide
- 07 Valve seat insert
- 08 Piston
- 09 Piston rings
- 10 Valve-spring + accessories
- 11 Intake/exhaust valves
- 12 Cylinder head bolt
- 13 Conrod bush
- 14 Connecting rod bearing
- 15 Oil injection jet
- 16 Fly wheel
- 17 Oil pump
- 18 Main bearing
- 19 Crankshaft
- 20 Connecting rod bolt
- 21 Connecting rod
- 22 Sealing ring
- 23 Crankcase
- 24 Camshaft bearing
- 25 Camshaft
- 26 Tappet
- 27 Valve push rod
- 28 Water pump

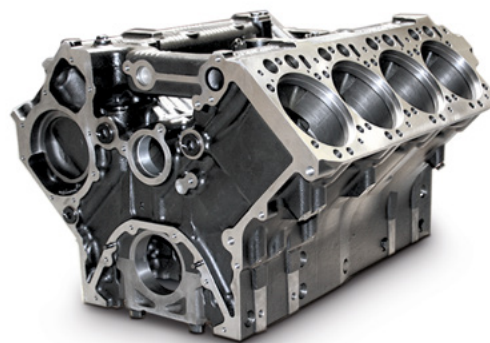




### **Crankshafts**

#### **Forged masterpieces for every torque**

To ensure high quality standards, the forged BF crankshafts are produced with tools manufactured in-house. They are also subject to stringent checks. The dimensional accuracy ensures smooth running and therefore a long engine life.



### **Crankcase**

#### **Geometric precision and dimensional stability for optimal performance**

As the housing for the drive mechanism and cooling jacket, the crankcase forms the central component of the engine. BF offers a comprehensive and high-quality portfolio of crankcases to provide quick, cost-effective solutions for repairing engines on utility vehicles.



### **Connecting rods**

#### **Robust force transmission**

The high strain on the connecting rod due to tension, pressure and torsional forces requires connecting rod designs with high strength yet low weight. Connecting rods with a lower strength are an unnecessary risk for the engine. With the high-quality product range from Motorservice, you are always on the safe side.



### **Oil and water pumps**

#### **Perfect lubricant and coolant supply**

Rheinmetall Automotive develops and supplies oil and water pumps to all leading engine manufacturers and has numerous patents. Building on this know-how, Motorservice offers pumps for a multitude of passenger car and utility vehicle applications. Make the most of this experience at a fair price/performance ratio.



### **Cylinder heads**

#### **Completed to your requirements**

Motorservice boasts an extensive product portfolio of cylinder heads for passenger cars and utility vehicles. The cylinder heads are also available with pre-assembled valves and valve-springs according to requirements and for ease of repair.





### Camshafts

#### Wear-resistant cams for long, powerful engine life

To withstand the high bending and torsion forces over the long term, the camshafts in the Motorservice product range have been designed to incorporate high strength properties. Camshafts may be cast or forged, depending on their intended purpose.



### Control parts for camshafts

#### Temperature-resistant precision

The high-quality control parts from BF support the camshaft with its task of opening and closing the individual valves at a precise defined time with the exact stroke and in the defined sequence.



### Oil coolers

#### Risk minimization during reconditioning

Together with the coolant system, the oil cooler ensures thermal equilibrium within the engine. Deposits of dirt particles in the fine lamellae can cause engine damage when oil coolers are reused – a high risk. Motorservice therefore offers oil coolers for a wide range of utility vehicle types.



### Flywheels

#### Precision and weight for smooth engine running

BF flywheels are precision parts made from high-value grey cast iron or steel which efficiently reduce uneven running and vibration in the engine. This ensures that wear on the gear train is kept to a minimum.

**HEADQUARTERS:**

**MS Motorservice International GmbH**

Wilhelm-Maybach-Straße 14–18

74196 Neuenstadt, Germany

[www.ms-motorservice.com](http://www.ms-motorservice.com)

**[www.ms-motorservice.com](http://www.ms-motorservice.com)**

© MS Motorservice International GmbH – FL 1932-02 – EN – 01/21 (112021)